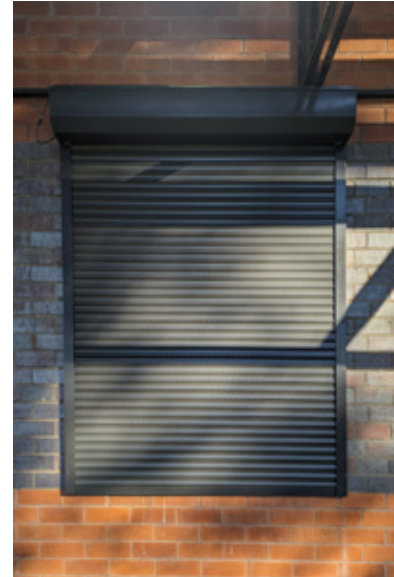




ROLLER SHUTTER



ULTIMATE PROTECTION AND CONVENIENCE

Our motorised Roller Shutters are designed to offer robust protection against weather, noise, and intruders. With easy remote operation, they ensure a seamless experience while enhancing your home's energy efficiency. Durable and low-maintenance, the motorised system provides convenience and peace of mind, making them an essential addition for security and insulation



TECHNICAL INFORMATION

Operation

Wynstan Roller Shutters are motorised by WYNMOTION motors, offering seamless and convenient control. A single remote can operate multiple Wynstan Roller Shutters, Blinds, Curtains and Awnings simultaneously.

Energy Saving*

Our Roller Shutters feature the WincovER energy-saving rating, ensuring efficient temperature regulation. With this technology, you can experience up to 74% cooling efficiency in summer, reducing energy consumption and keeping your home comfortable year-round.

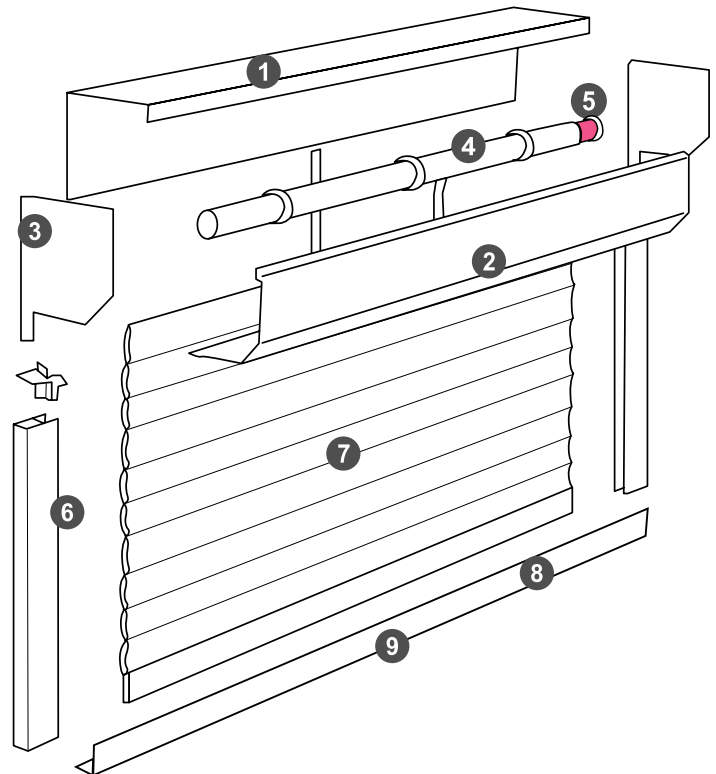
*Full report please visit www.wincover.com.au/product-suppliers/ozroll-pty-limited/

Specifications

1. Headbox back
2. Headbox front cover
3. Square Headbox end plate (size below)
4. Headrail
5. Motor
6. Guides - 53mm width
7. Roller Shutters Slat
8. Bottom bar
9. Optional bottom guide

Bushfire Protection (Fireshield Shutter Only)

The Fire Shade shutters are specially designed for bushfire-prone areas. These Roller Shutters have undergone extensive testing in collaboration with the CSIRO, achieving a 29kw/m² rating for the AR400 Series Shutters (Technical Assessment 306) and a BAL 40 rating for AE401 Extruded Shutters. This provides robust protection against radiant heat from bushfires, safeguarding your home in extreme conditions.



Standard Roller Shutter



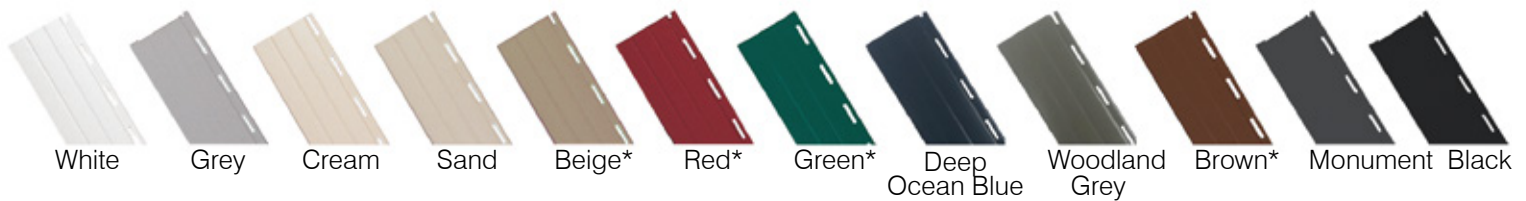
Fireshield

	Standard Roller Shutter	Fireshield Roller Shutter
Max Width	3600mm	5000mm
Min Width	700mm	700mm
Maximum Area	8sqm	12sqm
Weight per m²	4kg	8kg
Gauge of Aluminium (thickness)	0.32mm	1mm
Slat Height	40mm	40mm
Slat Thickness	9mm	9mm
Guide Width	53mm	Up to 4000mm Width - 53mm Over 4000mm Width - 69mm
Bottom Bar Height	50mm	50mm
Head Box Size	Up to 1300mm Height 150mm	Up to 1100mm Height 150mm
	Up to 1700mm Height 165mm	Up to 1600mm Height 165mm
	Up to 2135mm Height 180mm	Up to 2000mm Height 180mm
	Up to 3000mm Height 205mm	Up to 2800mm Height 205mm

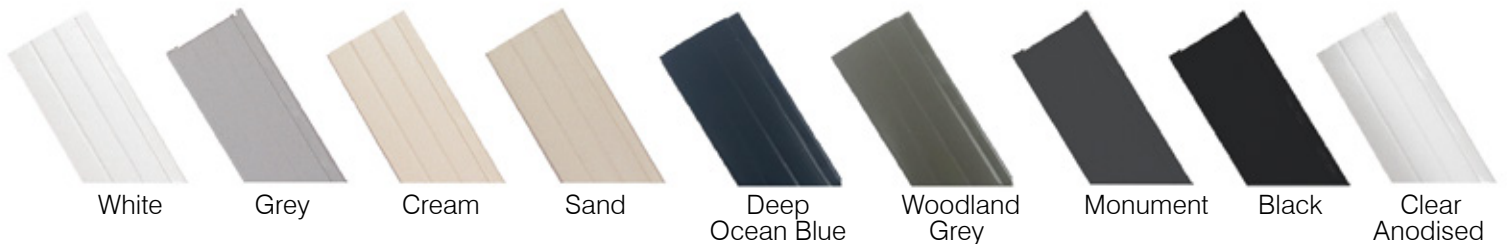
TECHNICAL INFORMATION

Square headbox	Headbox Size	Available Colours
	150mm	White, Cream, Sand, Monument, Black
	165mm	White, Cream, Sand, Monument, Black, Grey, Deep Ocean Blue, Woodland Grey
	180mm	White, Cream, Sand, Monument, Black, Grey, Deep Ocean Blue, Woodland Grey
	205mm	White, Cream, Sand, Monument, Black, Woodland Grey
	230mm	White, Cream, Sand, Monument, Black, Grey, Deep Ocean Blue, Woodland Grey

Standard Roller Shutter Colours with perforated holes



Firesheild Colours



*Beige, Green, Brown and Red are unavailable for the headbox, side guides, and bottom bar.

BENEFITS



Perforated light filtering

Superior Protection

Strong resistance against weather and break-ins ensures home security, while Firesheild provide BAL 40 protection from bushfire heat.

Energy-Efficient

Roller Shutters reduce heat and energy use with superior insulation. They have a certificated U-Value of 3.51 and Solar Heat Gain of 0.045.

Noise Reduction

Minimises external noise for a quieter environment.

Satisfaction Guaranteed

Our Roller Shutters comes with a 3 Year standard Warranty.

Book your FREE in-home consultation today! 1300-667-679